



SAVI[®]
Reha Solutions

Price list

Therapy chair „Wellenreiter 2025“
from the rehabilitation manufactory

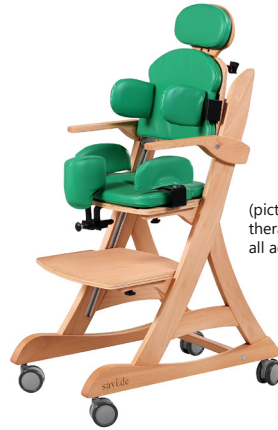
Content

Therapy chair „Wellenreiter“ size S	p. 02
Therapy chair „Wellenreiter“ size L	p. 03
Therapy chair „Wellenreiter“ size XL	p. 04
Accessories therapy chair „Wellenreiter“	p. 05
Therapy chair „Wellenreiter“ dimensions	p. 06

Price list and order form 2025
(valid from 01.2025) rev. 01

„Wellenreiter“ size S

order? Let us know your contact details:



(picture shows therapy chair with all accessories)

Please choose here

Wellenreiter - The practical therapy chair for everyday use

Stable frame made of lacquered beech wood with integrated aluminium profiles. Height and inclination angle of the backrest adjustable. Armrests height adjustable. Seat and foot plate multi-adjustable (height, inclination, depth). Seat and backrest padding and transport castors included.

model	order number	seat width (D)	seat depth (B)	max.seat height (C)	back height (A)	back angle (E)	seat angle (F)	foot angle (G)	max. load	price
size S (without armrest)	WELLENR2018 S OA	17 - 28 cm	20 - 27 cm	57 cm	26 cm	(-) 0° - 17,5°	5°/0°/-6°/-12°	5°/0°/-6°/-12°	30 kg	1.030 754
size S KiGa (without armrest)	WELLENR2018 S KIGA OA	17 - 28 cm	20 - 27 cm	47 cm	26 cm	(-) 0° - 17,5°	5°/0°/-6°/-12°	5°/0°/-6°/-12°	30 kg	1.030 754

padding colour	order number	price
red <input type="checkbox"/> light blue <input type="checkbox"/> grass-green <input type="checkbox"/>	WELLENR2018 S 523	.
optional: colour by request		198
angle quick adjustment of the foot and seat plate	WELLENR2018 550	229
headrest	WELLENR2018 S 001	229
adjustable height (in 3 cm steps) 12 - 21 cm		
thorax pads, 1 pair		
padded and adjustable, width 13 - 19 cm	WELLENR2018 S 002	135
padded and adjustable, width 17 - 23 cm	WELLENR2018 S 003	135
thigh guide	WELLENR2018 S 004	177
padded and adjustable, length 17,5 cm, height 7 cm		
abduction wedge	WELLENR2018 S 008	198
padded and pluggable		
wooden therapy table clip-on	WELLENR2018 S 005	240
width 48 cm, depth 37 cm		
large wooden clip-on therapy table, with edge	WELLENR2018 S 009	260
width 48 cm, depth 45 cm		
dual castors 4 pieces (75 mm), 2 with locking devices	WELLENR2018 006	262
harness assembly set for the seat area width 25 mm	WELLENR2018 S 2510	39
consisting of 2 angles with folding buckle and 2 folding buckles (drilled)		
harness assembly set for the back area width 25 mm	WELLENR2018 S 2511	134
consisting of belt holder with T-slot incl. 2 folding buckles and 2 folding buckles (drilled)		

• = serial

Prices in EUR (no tax)

+49 (0) 25 64 - 93 09 - 70: Our service-hotline is available for you weekdays from 8 am til 17 pm!

This is the quickest way: Simply fax your order to us at: +49 (0) 25 64 - 93 09 - 60 (Don't forget to include the sender's address).

„Wellenreiter“ size L

order? Let us know your contact details:



(picture shows therapy chair with all accessories)

Please choose here ↓

Wellenreiter - The practical therapy chair for everyday use

Stable frame made of lacquered beech wood with integrated aluminium profiles. Height and inclination angle of the backrest adjustable. Armrests height adjustable. Seat and foot plate multi-adjustable (height, inclination, depth). Seat and backrest padding and transport castors included.

model	order number	seat width (D)	seat depth (B)	max seat height (C)	back height (A)	back angle (E)	seat angle (F)	foot angle (G)	max. load	price
size L (without armrest)	WELLENR2018 L OA	24 - 34 cm	27 - 33 cm	55 cm	32 cm	(-) 0° - 17,5°	5°/0°/-6°/-12°	5°/0°/-6°/-12°	45 kg	1.030 754
size L KiGa (without armrest)	WELLENR2018 L KIGA OA	24 - 34 cm	27 - 33 cm	49 cm	32 cm	(-) 0° - 17,5°	5°/0°/-6°/-12°	5°/0°/-6°/-12°	45 kg	1.030 754

padding colour	order number	price
red <input type="checkbox"/> light blue <input type="checkbox"/> grass-green <input type="checkbox"/>	WELLENR2018 L 523	.
optional: colour by request		229
angle quick adjustment of the foot and seat plate	WELLENR2018 550	229
headrest	WELLENR2018 L 001	229
adjustable height (in 3 cm steps) 12 - 21 cm		
thorax pads, 1 pair		
padded and adjustable, width 20 - 26 cm	WELLENR2018 L 002	135
padded and adjustable, width 24 - 30 cm	WELLENR2018 L 003	135
thigh guide	WELLENR2018 L 004	177
padded and adjustable, length 20 cm, height 8,5 cm		
abduction wedge	WELLENR2018 L 008	198
padded and pluggable		
wooden therapy table clip-on	WELLENR2018 L 005	240
width 52 cm, depth 39 cm		
large wooden clip-on therapy table, with edge	WELLENR2018 L 009	260
width 52 cm, depth 49 cm		
dual castors 4 pieces (75 mm), 2 with locking devices	WELLENR2018 006	262
harness assembly set for the seat area width 25 mm	WELLENR2018 L 2510	39
consisting of 2 angles with folding buckle and 2 folding buckles (drilled)		
harness assembly set for the back area width 25 mm	WELLENR2018 L 2511	134
consisting of belt holder with T-slot incl. 2 folding buckles and 2 folding buckles (drilled)		

• = serial

Prices in EUR (no tax)

+49 (0) 25 64 - 93 09 - 70: Our service-hotline is available for you weekdays from 8 am til 17 pm!

This is the quickest way: Simply fax your order to us at: +49 (0) 25 64 - 93 09 - 60 (Don't forget to include the sender's address).

„Wellenreiter“ size XL

order? Let us know your contact details:



(picture shows therapy chair with all accessories)

Please choose here

Wellenreiter - The practical therapy chair for everyday use

Stable frame made of lacquered beech wood with integrated aluminium profiles. Height and inclination angle of the backrest adjustable. Armrests height adjustable. Seat and foot plate multi-adjustable (height, inclination, depth). Seat and backrest cushions and transport castors included.

model	order number	seat width (D)	seat depth (B)	max. seat height (C)	back height (A)	back angle (E)	seat angle (F)	foot angle (G)	max. load	price
size XL (without armrest)	WELLENR2018 XL OA	30 - 40 cm	29 - 35 cm	64 cm	38 cm	(-) 0° - 17,5°	5°/0°/-6°/-12°	5°/0°/-6°/-12°	60 kg	1.238 962

padding colour	order number	price
red <input type="checkbox"/> light blue <input type="checkbox"/> grass-green <input type="checkbox"/>	WELLENR2018 XL 523	•
optional: colour by request		198
angle quick adjustment of the foot and seat plate	WELLENR2018 550	229
headrest	WELLEN2018 XL 001	229
adjustable height (in 3 cm steps) 12 - 21 cm		
thorax pads, 1 pair		
padded and adjustable, width 13 - 19 cm	WELLENR2018 XL 002	135
padded and adjustable, width 17 - 23 cm	WELLENR2018 XL 003	135
thigh guide	WELLENR2018 XL 004	177
padded and adjustable, length 17,5 cm, height 7 cm		
abduction wedge	WELLENR2018 XL 008	198
padded and pluggable		
wooden therapy table clip-on	WELLENR2018 XL 005	240
width 48 cm, depth 37 cm		
large wooden clip-on therapy table, with edge	WELLENR2018 XL 009	260
width 48 cm, depth 45 cm		
dual castors 4 pieces (75 mm), 2 with locking devices	WELLENR2018 006	262
harness assembly set for the seat area width 25 mm	WELLENR2018 XL 2510	39
consisting of 2 angles with folding buckle and 2 folding buckles (drilled)		
harness assembly set for the back area width 25 mm	WELLENR2018 XL 2511	134
consisting of belt holder with T-slot incl. 2 folding buckles and 2 folding buckles (drilled)		

• = serial

Prices in EUR (no tax)

+49 (0) 25 64 - 93 09 - 70: Our service-hotline is available for you weekdays from 8 am til 17 pm!

This is the quickest way: Simply fax your order to us at: +49 (0) 25 64 - 93 09 - 60 (Don't forget to include the sender's address).

accessories „Wellenreiter“

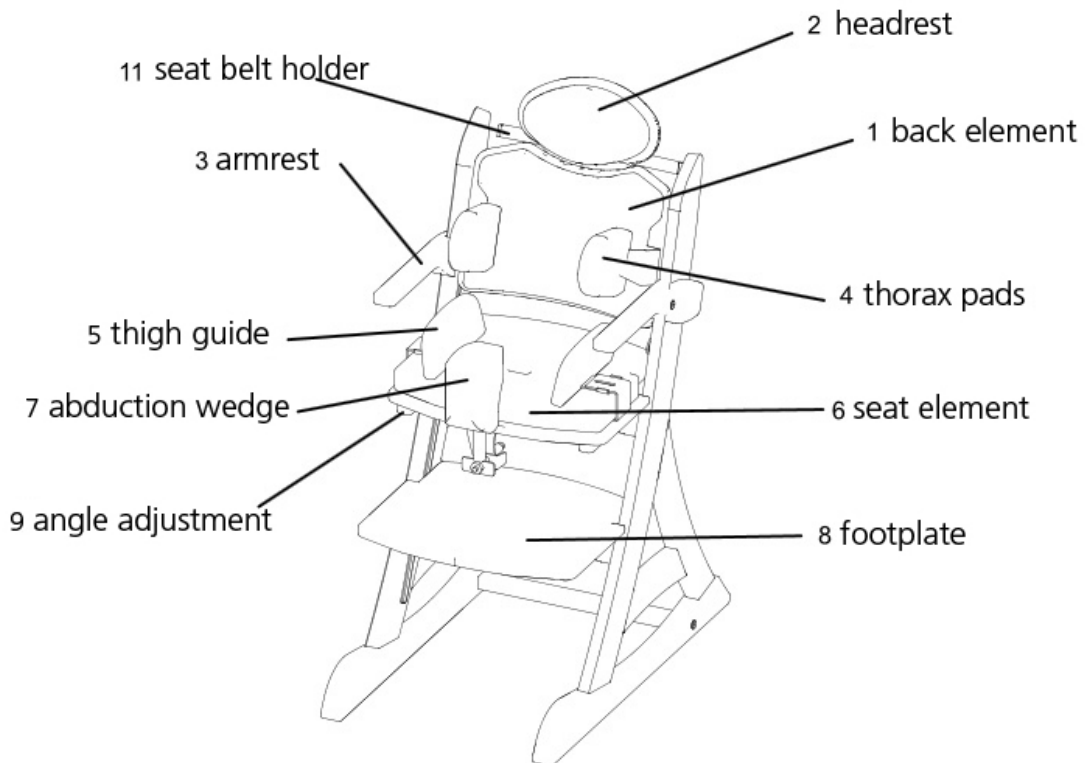
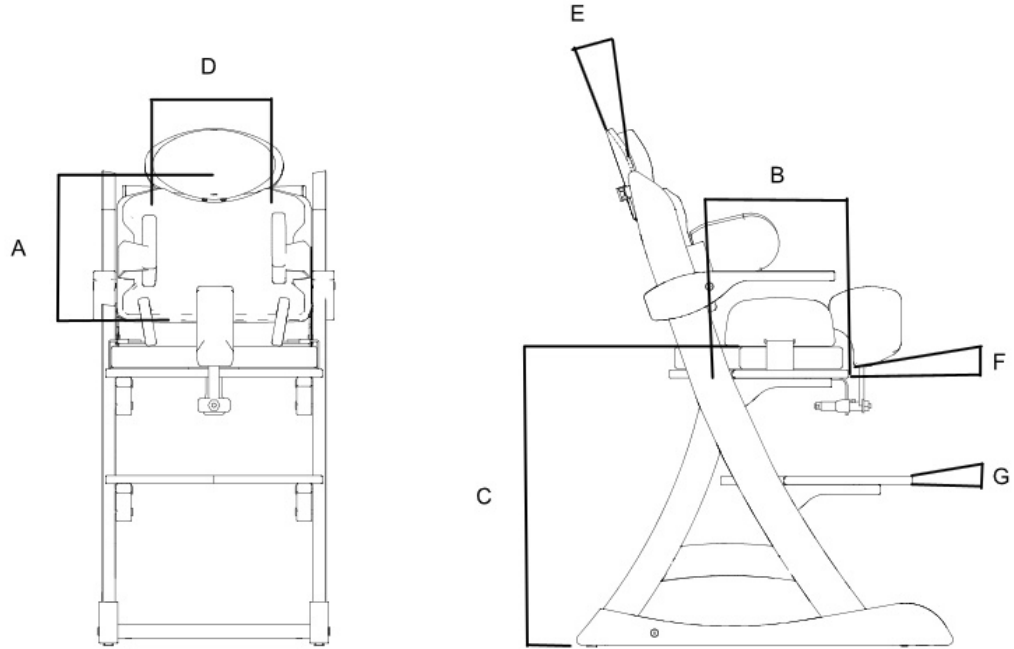
order? Let us know your contact details:

Please choose here ↓

Harness for therapy chair „Wellenreiter“								
Chest-shoulder strap made of breathable and moisture repellent material, two straps with clips, in width adjustable, colour: black	width top	width below	length top	bow below	total length			price
strap width						order number		
2 cm	15 cm	18 cm	20 cm	7 cm	30 cm	WELLENR2018 1032	162	<input type="checkbox"/>
T-shape groin harness made of breathable and moisture repellent material, with two clips at front, straps sewn at back, colour: black	width	length top	length	width T				
strap width						order number		
2,5 cm	28 cm	8 cm	18 cm	28 cm		WELLENR2018 1033	134	<input type="checkbox"/>
Pelvic harness with cushion, with metal lock, colour: black	width cushion	cushion length per side	strap length per side					
strap width						order number		
2,5 cm	5 cm	15 cm	67 cm			WELLENR2018 1035	270	<input type="checkbox"/>
4-point Pelvic harness with cushion, with metal lock, colour: black								
strap width						order number		
2,5 cm	5 cm	15 cm	67 cm			WELLENR2018 1036	140	<input type="checkbox"/>

„Wellenreiter“ dimensions

	dimension name
A	back height
B	seat depth
C	max. seat height
D	seat width
E	back angle
F	seat angle
G	foot angle



Applies to our products:

- CE-marking
- Compliant with all applicable standards

Price: EUR plus VAT. (@ 19%)

Delivery time: 1 - 2 Weeks

special builds: no problem, please contact us!

We deliver exclusively as per the current version of our „Terms and Conditions of Business“.



www.savi.de
info@savi.de

Facebook:
SAVI.GmbH

SAVI GmbH Reha Solutions
Lise-Meitner-Straße 10
48691 Vreden
Germany

phone: +49(0) 25 64 - 93 09 - 70
fax: +49(0) 25 64 - 93 09 - 60